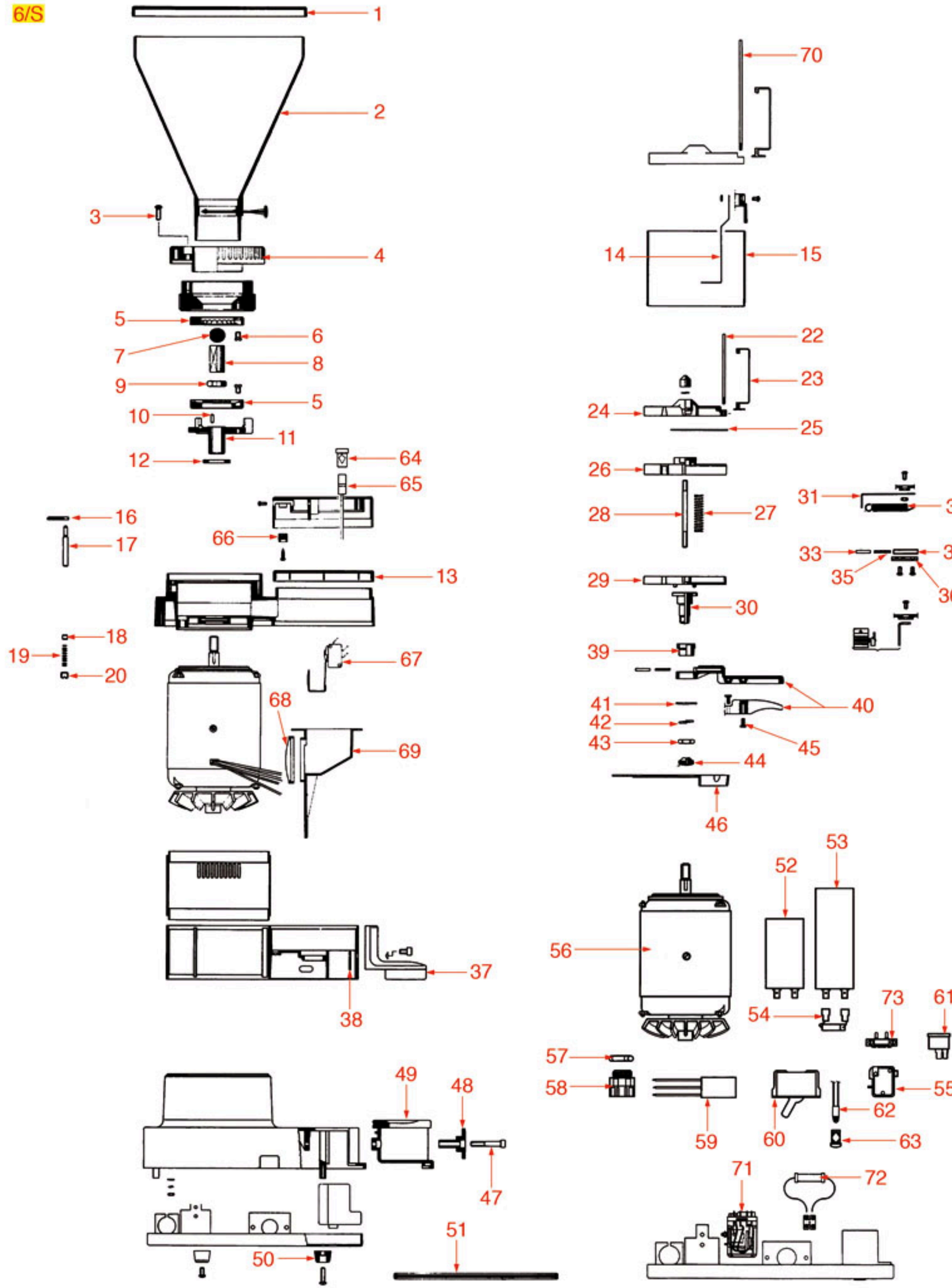


Pos	Item #	Description	Price	Ca
2	68291	Coffee Hopper Lid	\$103.05	Ad
3	69847	Coffee Hopper	\$309.75	Ad
5	70031	Coffee Hopper Closing Sheet	\$13.00	Ad
16	69979	Grinding Burrs Bottom Holder	\$178.20	Ad
18	70033	Adjustment Button	\$8.84	Ad
19	70043	Adjustment Pin	\$12.00	Ad
21	69955	Adjustment Rod Spring	\$1.56	Ad
23	69927	Microswitch 6a 250v	\$183.60	Ad
24	70021	Doser Lid	\$17.00	Ad
25	70014	Mixer Rod	\$19.00	Ad
26	70025	Micro Box Lid For Microswitch	\$61.00	Ad
27	70017	Microswitch Box	\$30.00	Ad
29	70028	Mixer Rod	\$23.00	Ad
30	69959	Mixer Rod Spring	\$11.00	Ad
30	69962	Rod Spring	\$20.00	Ad
32	70013	Doser Cylinder	\$44.00	Ad
33	70109	Top Star	\$23.00	Ad
34	70044	Doser Sheet	\$38.00	Ad
35	70110	Middle Star	\$22.00	Ad
36	69960	Dose Adjustment Spring	\$6.86	Ad
38	70104	Bottom Star	\$22.00	Ad
39	70026	Conveyer For Star	\$160.20	Ad
43	70280	Coffee Tamper Ø 55 Mm	\$52.25	Ad
46	69961	Doser Lever Return Spring	\$4.58	Ad
47	69958	Counter Tie Rod	\$5.30	Ad
48	70057	Pawl Coffee Grinder/doser	\$155.70	Ad
49	69914	Doser Lever	\$222.40	Ad
53	70035	Counter For Coffee Grinder	\$81.00	Ad
55	69956	Pin Spring	\$1.44	Ad
57	70046	Pawl Clasp	\$6.14	Ad
68	69910	Green Lamp Receptacle	\$4.26	Ad
69	68054	Green Indicator Lamp 220v	\$25.06	Ad
75	50520	Relay 60.33 8 230v	\$48.82	Ad
75*	59427	Power Relay 62.83	\$69.56	Ad
76	49904	Circuit Interrupter Md50 4211 - New	\$40.38	Ad
76	70132	Start Relay 230v	\$51.00	Ad
79	70094	Three-pole Lever Switch 16a 400v	\$295.20	Ad

** Parts without a number are upon request. Please [email](#). **

CIM10



Pos	Item #	Description	Price	Cart
1	70011	Coffee Hopper Lid	\$26.00	Add
2	67051	Coffee Hopper	\$121.25	Add
3	50961	Cross Head Screw M5x14 Uni 7687	\$0.79	Add
4	70030	Adjustment Ring Nut	\$39.00	Add
11	69979	Grinding Burrs Bottom Holder	\$178.20	Add
13	70021	Doser Lid	\$17.00	Add
14	70014	Mixer Rod	\$19.00	Add
15	70013	Doser Cylinder	\$44.00	Add
16	70033	Adjustment Button	\$8.84	Add
17	70043	Adjustment Pin	\$12.00	Add
19	69955	Adjustment Rod Spring	\$1.56	Add
22	70028	Mixer Rod	\$23.00	Add
23	69962	Rod Spring	\$20.00	Add
24	70109	Top Star	\$23.00	Add
25	70044	Doser Sheet	\$38.00	Add
26	70110	Middle Star	\$22.00	Add
27	69960	Dose Adjustment Spring	\$6.86	Add
29	70104	Bottom Star	\$22.00	Add
32	70351	Doser Lever Return Spring	\$3.26	Add
33	70046	Pawl Clasp	\$6.14	Add
35	69956	Pin Spring	\$1.44	Add
37	70280	Coffee Tamper Ø 55 Mm	\$52.25	Add
39	70045	Pawl Coffee Grinder/Doser	\$224.00	Add
40	70019	Doser Lever Right-hand	\$299.20	Add
45	70022	Bumper For Doser Lever	\$6.24	Add
55	49904	Circuit Interrupter Md50 4211 - New	\$40.38	Add
55	70132	Start Relay 230v	\$51.00	Add
60	70094	Three-pole Lever Switch 16a 400v	\$295.20	Add
62	68054	Green Indicator Lamp 220v	\$25.06	Add
63	69910	Green Lamp Receptacle	\$4.26	Add
64	69911	Red Indicator Light	\$4.16	Add
64	46268	Red Lamp Receptacle	\$5.51	Add
67	69927	Microswitch 6a 250v	\$183.60	Add
68	70025	Micro Box Lid For Microswitch	\$61.00	Add
69	70017	Microswitch Box	\$30.00	Add
71	50520	Relay 60.33 8 230v	\$48.82	Add
71	59427	Power Relay 62.83	\$69.56	Add